

SF600 Stainless Steel Flange Type Flexible Joint



TOZEN braided metal flexible joints are designed to control vibration, reduce noise, relieve stress, prevent system shock and compensate for misalignment and movement.

Use of TOZEN braided metal flexible joints for applications such as pumps, compressors, and other mechanical equipment will enhance the overall operation of the system.

Flexible joint by itself, when subjected to high pressure can over-extend past the ability to operate properly it is necessary, therefore, to include an external flexible restraint (i.e. braid) to withstand the specified internal pressure and fastened to the ends of both joint and fittings.

This braid sheath is designed to be strong enough to withstand elongation for the full pressure rating of the joint.

BRAND: TOZEN
BODY MARKING: TOZEN


SPECIFICATION

Model	Nominal Diameter {mm(inch)}	Overall Length (mm)	300mm Overall length Lateral Movement (mm)	Working Pressure (Kgf/cm ²)
SF600	25 (1)	200 - 5000	34.0	16
SF600	32 (1¼)	200 - 5000	33.0	16
SF600	40 (1½)	200 - 5000	32.0	16
SF600	50 (2)	200 - 5000	24.0	16
SF600	65 (2½)	200 - 5000	32.0	16
SF600	80 (3)	200 - 5000	32.0	16
SF600	100 (4)	200 - 5000	26.0	16
SF600	125 (5)	200 - 5000	20.0	16
SF600	150 (6)	200 - 5000	18.0	16
SF600	200 (8)	200 - 5000	9.0	16
SF600	250 (10)	200 - 5000	3.4	16
SF600	300 (12)	200 - 5000	2.8	16

Remarks : Large size and different length available on request.
The flange standard is drilled to BS4504 PN16 (BS EN 1092-1) or other standard can be changed on your request, please consult us.
Tolerances of overall length: +/-20mm.

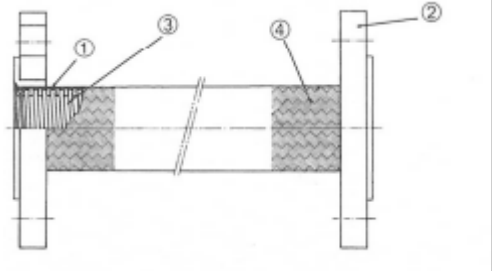
Application: Water, Steam, Turbines, Gas, Fuel Oil, Air, etc.
Max. Working Pressure: 16 Bar
Max. Working Temperature: 220 Deg C.

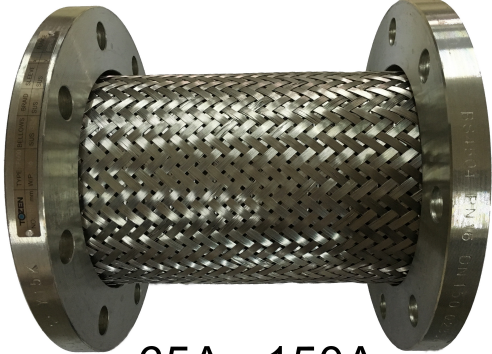
* All parts touching with water is stainless steel 304



25A - 50A

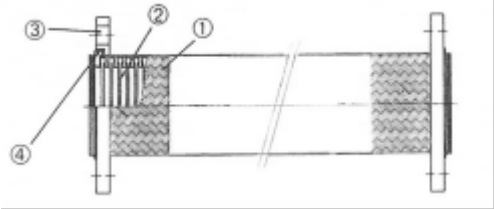
No.	Parts	Materials
1	Collar	Stainless Steel 304
2	Loose Flange	Carbon Steel
3	Bellows	Stainless Steel 304
4	Braid	Stainless Steel 304

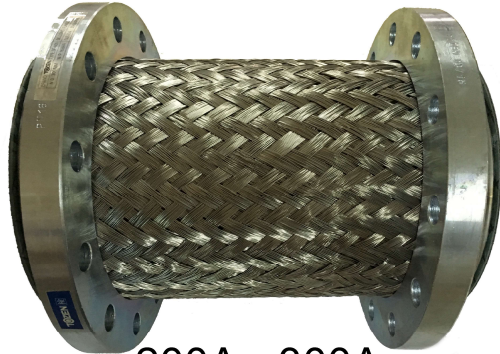




65A - 150A

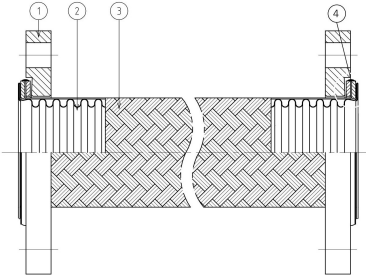
No.	Parts	Materials
1	Braid	Stainless Steel 304
2	Bellows	Stainless Steel 304
3	Loose Flange	Carbon Steel
4	Retainer	Carbon Steel





200A - 300A

No.	Parts	Materials
1	Loose Flange	Carbon Steel
2	Bellows	Stainless Steel 304
3	Braid	Stainless Steel 304
4	Retainer	Carbon Steel



Manufacturer:
TOZEN CORPORATION
 8-4, Asahi, Yoshikawa-shi, Saitama-ken 342 Japan
 Tel: (0489) 93-1035
 Fax: (0489) 93-1018

Factory:
Shanghai Tozen Mechanical Engineering Products Co., Ltd
 No. 598, Tongle Road, Dongjing Town, Songjiang, Shanghai, 201619, P.R. China