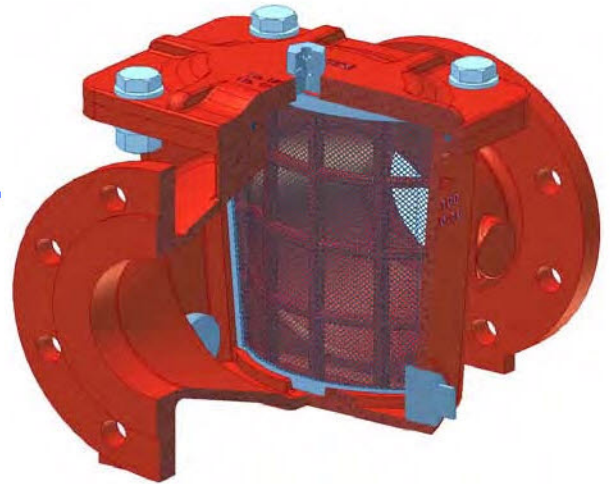


### H strainer with rapid purge arrangement

- DN 40 - DN 600
- PN 10 - 16 - 25 - 40
- Max. temperatur 80° C

#### • AQUA 90-501 : Operation and installation

The AQUA 90-501 strainer is used when effective filtration is required. Of compact design, maintenance is fast and easy and requires only top cover removal. The flat stainless steel strainer mesh perpendicular to flow optimizes pressure drop. Moreover, the AQUA 90-501 model can be equipped with an autonomous programmable flushing valve (Cla-Val SERIES ECO) allowing fast flushing without removing top cover.

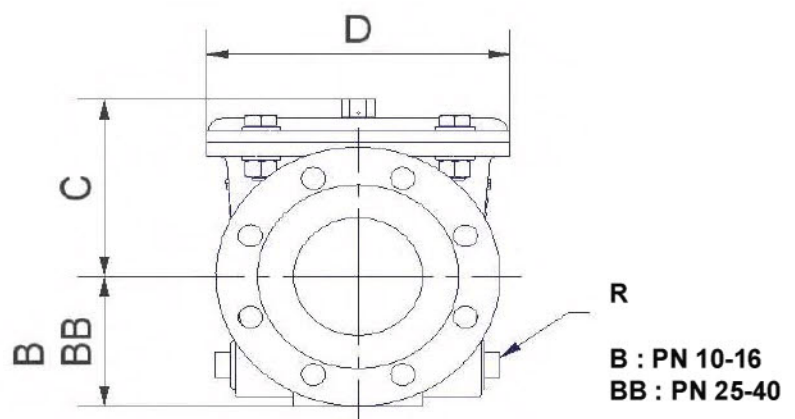
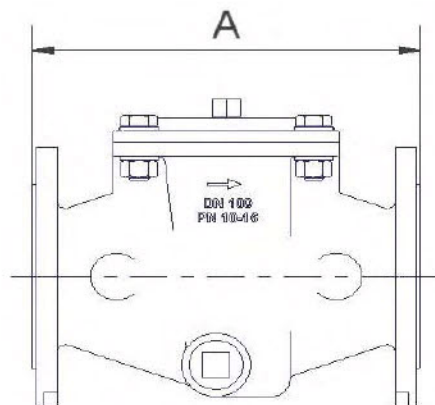


The strainer may be installed in any position, however installation with the cover on top side is recommended.

#### • AQUA 90-501 : Construction

- Body and cover in ductile iron GGG40 with epoxy coating.
- Strainer in stainless steel 316 on a ductile iron epoxy coated frame.
- Strainer mesh : standard 2 mm (option 1 mm or 1,5 mm)
- Flanges drilled according to PN 10 - PN 16 - PN 25 or PN 40 for DN 40 - DN 200
- Flanges drilled according to PN 10 - PN 16 - PN 25 FOR DN 250 - DN 600
- Bolts in SS 303.

#### • AQUA 90-501 : Dimensions



DN	40	50	60	65	80	100	125	150	200	250	300	350	400	450	500	600
A [mm]	230	230	230	230	300	300	400	400	500	580	610	650	800	800	950	1100
B [mm]	82,5	82,5	92,5	92,5	103	110	125	142,5	170	225	227,5	260	310	335	485	485
BB [mm]			92,5	92,5	103	110	125	142,5	170	225	242,5	277,5	310	335	485	486
C [mm]	96	96	96	96	150	150	191	191	224	295	385	380	500	500	609	609
D [mm]	200	200	200	200	235	235	400	400	460	560	680	680	900	900	1190	1190
R ["]	R 1 1/4"										R 2"					
M [kg]	13,8	13,8	14,6	14,6	22	23	46	48	76	165	230	250	410	430	770	850

#### Head loss values

Kv [m3/h]	83	129.6	187.2	219.6	306	565.2	806.4	1422	2527	3949	5687	7741	10111	12796	15798	22749
Cv [l/s]	23	36	52	61	85	157	224	395	702	1097	1580	2150	2809	3555	4388	6319
K	-	0,6	0,6	0,6	0,6	0,7	0,5	0,6	0,4	0,4	0,4	0,4	0,4	0,4	0,4	0,4

Kv ou Cv = m3/h ou l/s @ 100kPa (1 bar) perte de charge pour une eau à 15° (vanne totalement ouverte)

CLA-VAL

Switzerland

TEL : +41 (0) 21 643 1555 FAX : +41 (0) 21 643 1550

Web : [www.cla-val.ch](http://www.cla-val.ch) E-mail : [cla-val@cla-val.ch](mailto:cla-val@cla-val.ch)

© Copyright CLA-VAL CO. - USA

NUM.	A90501DE
REV.	C 03/07
QUA.	MD 03/07