



AVK DUCTILE IRON GATE VALVE, PN16

Series 21/36-DS

EPDM wedge rubber, duplex SS 1.4462 stem

The AVK series 21 are flanged, resilient seat gate valves with an under-pressure replaceable stem seal designed to the heavy duty BS5163 for use in systems with water, sewage, or other neutral liquids.

Product description:

Resilient seat gate valve for water and waste water to max 70° C. and max 10% solid matter.

Standards:

- Design according to BS5163-1:2004 (previously BS5163:1986 Type B), Designed according to EN 1074 part 1 & 2
- Face-to-face dimension according to EN 558 Table 2 Basic Series 3
- Flange drilling to EN1092, PN16

Test/Approvals:

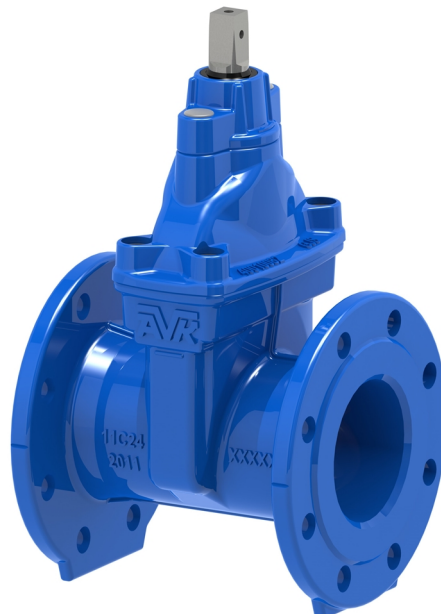
- Seat: 1.1 x PN. Body: 1.5 x PN.
- WRAS approved materials

Features:

- Fixed, integral wedge nut prevents vibration and ensures durability
- Stem seal replaceable under pressure
- The ductile iron core is fully vulcanized with drinking water approved EPDM rubber, no iron parts are exposed to the medium and the excellent rubber vulcanization prevents creeping corrosion underneath the rubber
- The wedge has a large through bore and as there are no hollows in the core, stagnant water or impurities cannot collect and cause contamination
- Duplex stainless steel stem with rolled threads for high strength
- Full circle brass thrust collar provides fixation of the stem and low free running torques
- Double stem seal: a replaceable polyamide bearing with two O-rings and an O-ring on the stem
- Round bonnet gasket fixed in a recess groove in bonnet preventing it from being blown out by pressure surges
- Bonnet bolts in stainless steel, encircled by the bonnet gasket to protect against contact with the fluid and against corrosion
- Fusion bonded epoxy coating acc. to GSK, blue RAL 5017
- Bonnet- and gland bolts counterbored and sealed with hot-melt for protection against corrosion; bonnet bolts furthermore encircled by the bonnet gasket as protection against the water

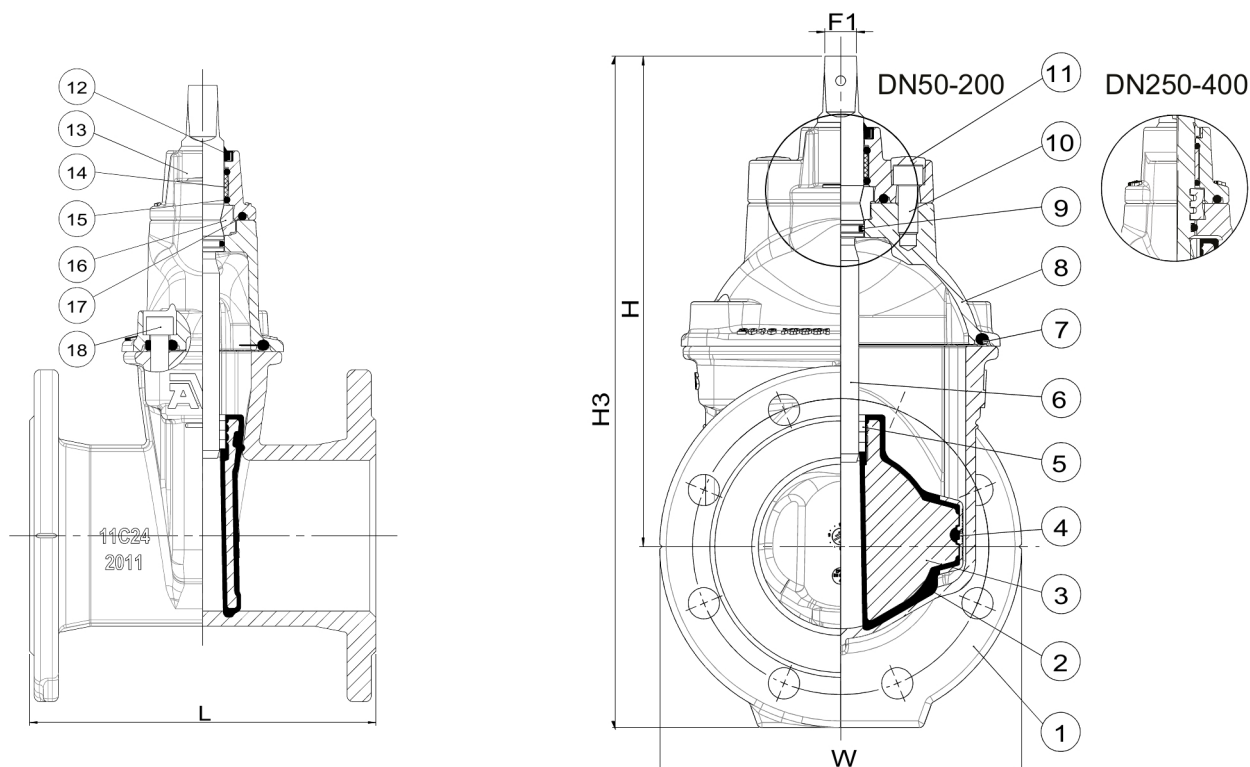
Accessories:

Hand wheel, stem cap, extension spindle, flange adaptors and dismantling joints



Expect... **AVR**

The designs, materials and specifications shown are subject to change without notice due to the continuous development of our product range.



Component list:

1. Body	Ductile iron GJS-500-7 (GGG-50)	10. Bolt	Stainless steel A4
2. Wedge rubber	EPDM rubber	11. Cover	Hot melt glue
3. Wedge core	Ductile iron GJS-500-7 (GGG-50)	12. Wiper ring	NBR rubber
4. Wedge shoe	Polyamide	13. Gland flange	Ductile iron GJS-500-7 (GGG-50)
5. Wedge nut	Brass DZR CW626N	14. Radial bearing	Polyamide
6. Stem	Duplex stainless steel 1.4462	15. O-ring	EPDM rubber
7. Bonnet gasket	EPDM rubber	16. Thrust collar	Brass DZR CW724R
8. Bonnet	Ductile iron GJS-500-7 (GGG-50)	17. O-ring	EPDM rubber
9. O-ring	EPDM rubber	18. Bolt	Stainless steel A4

Components may be substituted with equivalent or higher class materials without prior notification.

Dimensions:

DN	Flange	L	W	H	H3	F1	Turns	Theoretical
mm	drilling	mm	mm	mm	mm	mm	to open	weight/kg
50	PN16	178	173	268	351	19	5	13
65	PN16	190	185	269	362	19	6	15
80	PN16	203	200	277	377	19	8	16
100	PN16	229	220	298	408	19	9	18
150	PN16	267	285	388	531	19	14	33
200	PN16	292	340	475	645	19	18	51
250	PN16	330	422	582	782	27	21	82
300	PN16	356	455	665	893	27	25	114
350	PN16	381	564	821	1088	32	29	209
400	PN16	406	580	848	1138	32	33	214