



Series 580P

Wafer Type Silent Check Valve



Model:

- 580P-RS (304 SST)
- 580PS-RS (316 SST)
- 580PHS-RS (316 SST)

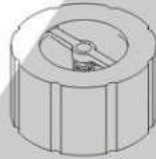
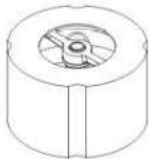
Product Advantages

- Operates Horizontally or Vertically
- Stainless Steel Trim
- Field Replaceable Parts
- 100% Watertight Shut Off With Special Vulcanize O-Ring

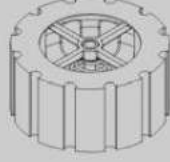
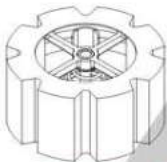
The Cla-Val Series 580P Silent Wafer Check Valve has a spring-loaded poppet that allows the valve to close before flow reversal occurs, resulting in a silent, non-slam closure. It is a truly silent check valve. For ease of installation, the valve can be installed in vertical or horizontal positions with flow up or flow down. The short lay length of the valve allows for a space-saving design. Silent Wafer Check Valves are available in sizes 40mm to 400mm, with PN16/PN25 pressure class rating.

Constructed of an epoxy coated ductile iron body with stainless steel trim, the Cla-Val Silent Wafer Check Valve offers watertight shutoff with effect.

All materials conform to applicable industry specifications, ensuring long lasting reliable performance.

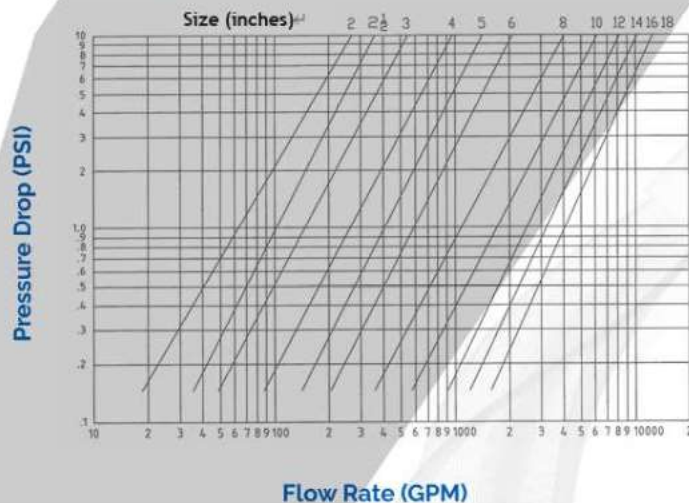


PN16/PN25 580 Silent Wafer 1 1/2 - 6 inches - 40mm - 150mm



PN16/PN25 8 - 16 inches 200mm - 400mm

Silent Check Valve Pressure Drop Chart



Materials

Valve Body:

Ductile Iron

Disc: 304 Stainless Steel / 316 SST

Seat: 304 Stainless Steel / 316 SST

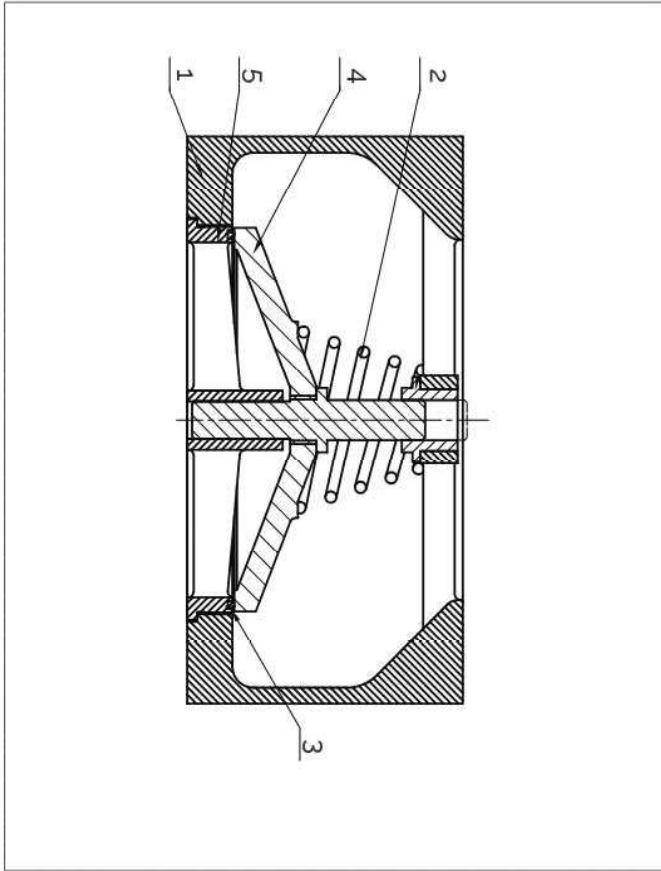
Spring:

316 Stainless Steel

Note:

Standard offering is two-part epoxy coating interior and exterior WRAS Approved

Series 580P Wafer Type Silent Check Valve Technical Data



Item	Description	Model	Material / Grade
1	Body	580P-RS	Ductile Iron EN-GJS-450-10
2	Spring	580PS-RS	Stainless Steel 316 BSEN10088 Gr.1.4401
3	O-Ring	580PHS-RS	EPDM WRAS Approved
4	Disc	580P-RS	Stainless Steel 304 BSEN10283 Gr1.4308
5	Seat	580PS-RS	Stainless Steel 316 BSEN10283 Gr.1.4408
		580PHS-RS	BSEN10283 Gr.1.4408

Typical Applications

Cla-Val Series 580P Silent Wafer Check Valves are used anywhere a quick, quiet closure is desired and in the majority of pump applications, including the following;

- Fire Pump Applications
- Vertical Turbine Pumps
- Booster Pump Stations in High Rise Buildings
- House Pump Applications

Maximum Non-Shock Service Pressure

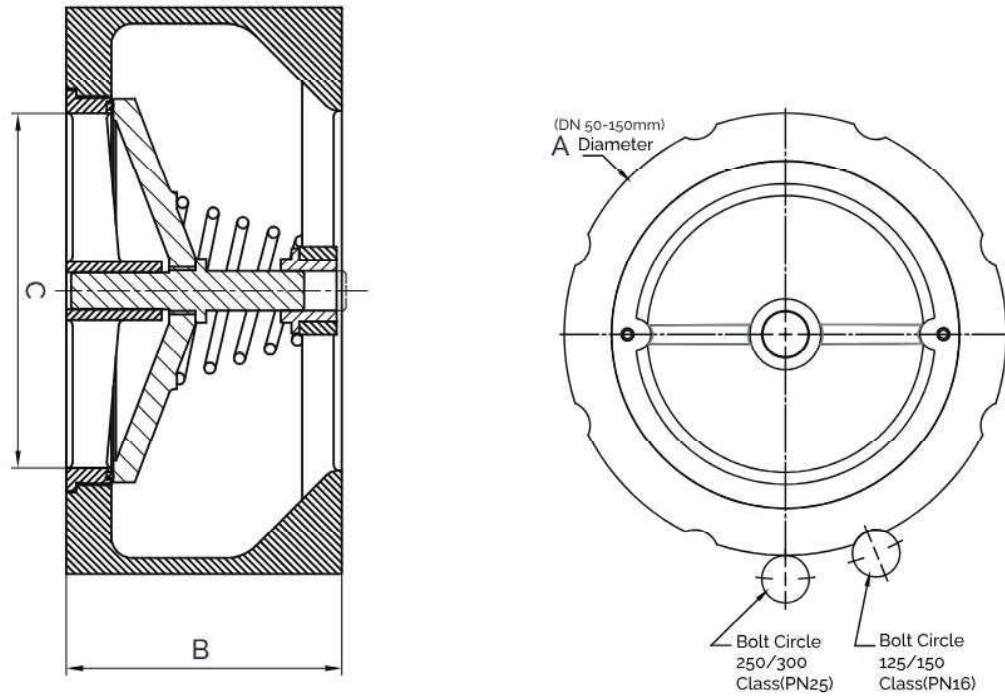
Model	Working Pressure	Fluid
580P-RS	232 Psi	Fresh Water
580PS-RS	232 Psi	Fresh / Flushing Water
580PHS-RS	363 Psi	Fresh / Flushing Water



Cla-Val Pacific
 45 Kennaway Road, Woolston, Christchurch
 Tel: +64 (0)3 964 4860
 Email: aspacsales@cla-val.com



Series 580P PN16 Class Wafer Type Silent Check Valve

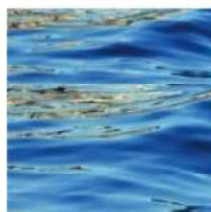


Model: 580P-RS, 580PS-RS For PN16 Flange

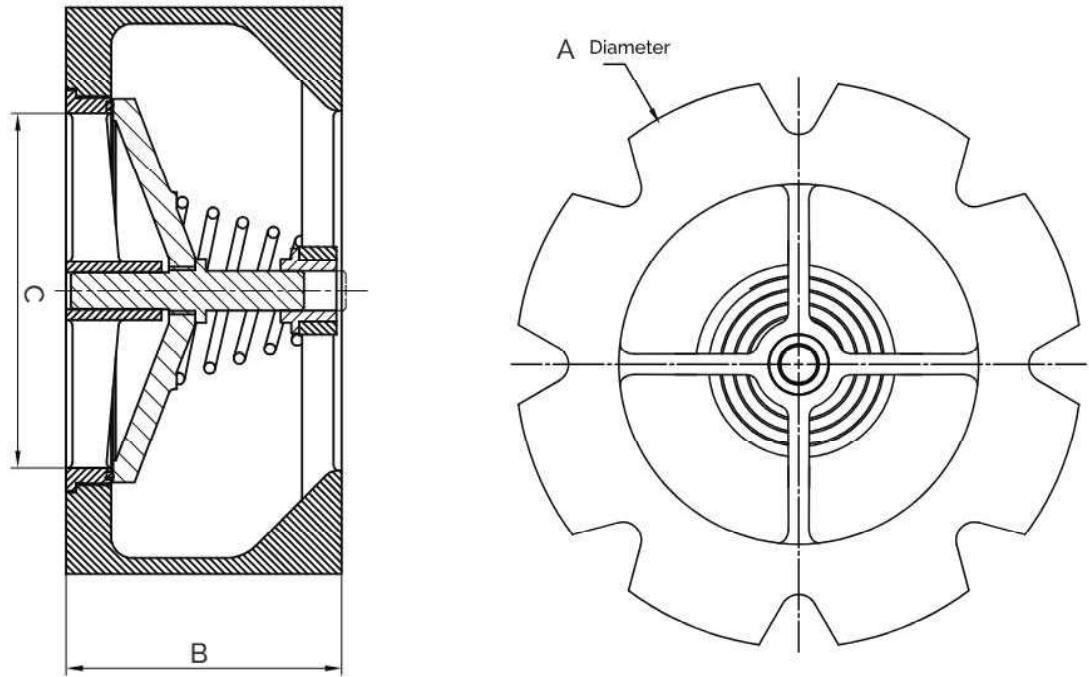
Valve Size (mm)	A	B	C
50	108.0	66.7	60.3
65	127.0	73.0	73.0
80	146.1	79.4	85.7
100	177.8	101.6	120.7
125	212.7	117.5	139.7
150	247.7	139.7	165.1



Cla-Val Pacific
 45 Kennaway Road, Woolston, Christchurch
 Tel: +64 (0)3 964 4860
 Email: aspacsales@cla-val.com



Series 580P PN16 Wafer Type Silent Check Valve: 200 - 400mm



Model: 580P-RS, 580PS-RS For PN16 Flange

Valve Size (mm)	A	B	C
200	339.7	165.1	215.9
250	406.4	209.6	266.7
300	CF	CF	CF
350	CF	CF	CF
400	CF	CF	CF

Specifications

The silent wafer check valve shall consist of a heavy ductile iron body, stainless steel seat, disc, and steel spring. The valve disc shall be center guided at both ends with an integral shaft and shall be spring loaded for silent operation. The spring shall be helical or conical and stone tumbled to achieve a micro-finish to resist mineral deposits. For ease of maintenance, the seat and disc shall be replaceable in the field.

Check valve shall be capable of silent operation when installed in vertical or horizontal positions with either flow up or flow down. The flow area through the body shall be equal to or greater than the cross-section area of the equivalent pipe size.



Cla-Val Pacific
 45 Kennaway Road, Woolston, Christchurch
 Tel: +64 (0)3 964 4860
 Email: aspacsales@cla-val.com

